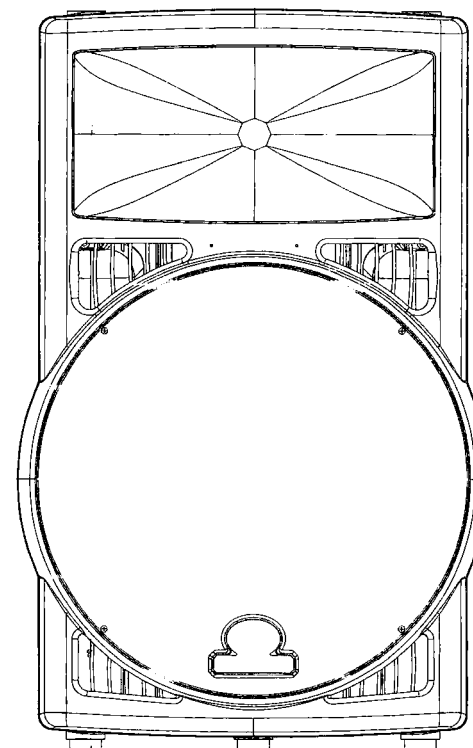


PHONIC

PERFORMER

A210 / A220 / A230 / A520 / A530

PHONIC
WWW.PHONIC.COM



ENGLISH

User's Manual

PHONIC PERFORMER ACTIVE SPEAKER SERIES
PERFORMER A210 / A220 / A230 / A520 / A530

USER'S MANUAL

TABLE OF CONTENTS

	page
SAFETY INSTRUCTIONS.....	4
INTRODUCTION	5
PERFORMER ACTIVE SPEAKER FEATURES	6
QUICK START	7
REAR PANEL DESCRIPTION	8
HOOKUP DIAGRAMS.....	10
Wired Setup	10
Wireless Setup	11
INSTALLING WIRELESS MODULES	15
OPTIONAL ACCESSORIES	16
PURCHASING OPTIONAL ACCESSORIES	17
SERVICE AND REPAIR	17
CUSTOMER SERVICE AND TECHNICAL SUPPORT	17
SPECIFICATIONS	18
DIMENSIONS	19

SAFETY INSTRUCTIONS

1. Read all instructions carefully before using your Performer Active Speakers.
2. Keep this user's manual for future reference.
3. Please carefully follow all instructions.
4. Do not use these speakers with amplifiers or the powered output of a powered mixer. They should only be used with a mic- or line-level input. An amplifier generates a much higher current level which will damage Performer active speakers.
5. Warning - Performer active speakers generate extremely high sound pressure levels. Take care in the placement and operation of speakers to avoid prolonged exposure to extremely high sound levels. Long exposure to high sound pressure levels may cause permanent hearing loss.
6. Cables - You should use properly functioning cables with XLR-type and 1/4" phone connectors to connect microphones or mixers to the Performer active speakers.
7. Mounting - The suspending, rigging and mounting of Performer active speakers can cause members of the public to be exposed to serious risk or even death in the event that a poorly installed speaker should come loose and fall. If you are NOT fully qualified and certified by relevant local, state or national authorities to mount these speakers, call a qualified technician to install them and do not install them yourself. All relevant safety regulations must be followed. If you are not completely qualified, or there are no regulations in your area governing said installation, please consult qualified personnel for assistance.
8. Servicing - Do not under any circumstances try to service this product yourself. If servicing is required, contact your local service center.

INTRODUCTION

Congratulations on your purchase of the world's first wireless professional audio speaker. Performer active speakers utilize the ultra-fast 2.4 GHz bandwidth to communicate with your mixer and other Performer speakers. They can also receive and broadcast wireless microphone signals without any cabling. Performer Series speakers have an attractive yet impact-resistant design. The angled molded enclosure is made of highly durable polypropylene and is designed for use as a stage monitor, stand-mounted speaker or for permanent installation.

Active Speaker Technology

Active speaker technology means that Performer speakers have more power and better quality sound. In conventional powered speakers, the power amplifier's output is sent to a passive crossover in the speaker, where it is separated into high and low frequencies and sent to the transducers. The simple construction of passive crossovers means they tend to do an especially poor job sending the high frequencies to the driver. They also lose a lot of power in the process - up to 30%.

The active speaker difference starts with the crossover. Our Performer active speakers use an electronic Linkwitz-Riley 24 dB crossover. An electronic crossover is much more complex than a passive crossover. The electronic crossover intelligently divides the frequencies and sends them to the built-in high- and low-frequency transducers. Since the electronic crossover processes a line-level signal, much less power is lost before the signal is sent to the amplifiers. And since each Performer active speaker has two built-in amplifiers, we are able to custom tailor their output for each speaker. In this way there is virtually no power lost by the crossover, or by the amplifiers being forced to drive high and low transducers at the same time. You will be surprised at the power your Performer active speakers deliver and how well they perform through all the frequencies.

Wireless Capability

Performer active speakers are wireless-enabled. They can be configured to work wirelessly with a wireless microphone, to receive wireless transmission from a mixer, or both. Performer active speakers even have the capability to communicate wirelessly with other Performer active speakers. Wireless modules (not included) are easy to install and take your Performer active speaker to the next level.

One of the great things about wireless capability is that you don't have to worry about matching load impedances and excessive loading on the source. For instance, with most active speakers, if you are using a wired microphone you can only daisy chain a maximum of two speakers together before excessive loading of the source occurs. However, with Performer active speakers fitted with wireless modules, this is not a problem. You can use the wireless modules to "virtually" daisy chain as many speakers as you want - even if you are using a wired microphone.

Our engineers designed Performer active speakers to incorporate the latest technology in a quality speaker that can be used in almost any application. Whether you use the Performer for live sound, in a studio, for boardroom meetings or install it in a house of worship, it will provide you with listening enjoyment for years to come.

PERFORMER ACTIVE SPEAKER FEATURES

Model Features

Performer A210

Wireless 12" 90W Active Speaker

- 90 Watts RMS
- 12" Woofer

Performer A220

Wireless 12" 160W Active Speaker

- 160 Watts RMS
- 12" Woofer

Performer A230

Wireless 12" 275W Active Speaker

- 275 Watts RMS
- 12" Woofer

Performer A520

Wireless 15" 160W Active Speaker

- 160 Watts RMS
- 15" Woofer

Performer A530

Wireless 15" 275W Active Speaker

- 275 Watts RMS
- 15" Woofer

Common Features

- ▶ Mic / Line Balanced Preamp
- ▶ 75 Hz Low Cut Filter (18 dB/oct.)
- ▶ Contour Switch with 5 dB boost @ 80 Hz (1/3oct.) and 5 dB boost @ 10.5 KHz (1/3oct.)
- ▶ Switching Power Supply (115-230V, 50-60 Hz)
- ▶ Built-in limiter protects against overload
- ▶ Optional wireless modules for transmitting and receiving
- ▶ Optional wireless microphone system
- ▶ Durable, lightweight speaker cabinet with dynamic sound
- ▶ 1" tweeter with 90° x 60° sound dispersion
- ▶ Balanced XLR-type and 1/4" phone jack inputs with switched Mic/Line sensitivity plus an XLR-type LINK OUT
- ▶ 35mm socket on bottom for pole / stand mounting

QUICK START

1. Ensure that the POWER switch is off (up) and set the LOW CUT and CONTOUR switches out. Turn the two volume controls all the way down (counterclockwise).
2. If you plan to use the wireless functions of the Performer, make sure that the proper wireless module(s) is correctly installed. If you are using the wired configuration, then connect the output from the signal source (mic- or line-level source) to the matching input on the Performer (mic-level input into the XLR-type female input jack, and line-level input into the 1/4" phone jack). The Performer accepts balanced or unbalanced mic- or line-level signals from dynamic microphones, mixers, preamplifiers, CD players, tape decks, etc. via XLR-type or TRS 1/4" phone connectors.

Note: The Performer will only accept input from condenser microphones that have their own power supply.

3. Set the VOLTAGE SELECTOR switch to the correct voltage setting for your region (100-120 VAC 60 Hz or 220-240 VAC 50 Hz). Plug the AC power cord into the IEC socket on the back of the Performer active speaker. Plug the other end of the power cord into an AC outlet.
4. Set the input selector switch to the appropriate input level. Select MIC (up) for mic-level input; select LINE (down) for line-level input.
5. Turn on the signal source (i.e. mixer, etc.). Ensure that its Master Volume control is turned all the way down.
6. Switch on the Performer power switch (down).
7. Start the signal source (i.e. speak into the microphone) and adjust the signal source level settings.
8. Slowly turn up the level control on the Performer until you achieve the desired volume. Make sure that the PEAK light does not come on.
9. If there is no sound, first turn the Performer level control all the way down before investigating. When you think you have solved the problem, then repeat step 8 again. Follow Step 9 every time you troubleshoot until you solve the problem.

REAR PANEL DESCRIPTION

1. VOLTAGE SELECTOR

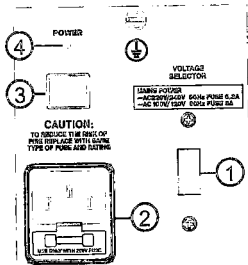
This switch allows you to select the AC electric current in use in your region. It is very important that you select the correct MAINS POWER voltage before plugging in the power cord. For 220-240 volts 50 Hz, push the switch up. For 110-120 volts 60 Hz, push the switch down. Voltage levels vary from country to country, (even from city to city in certain countries). For example, North America uses a 110-120 volt, 60-cycle (Hz) system, while the European standard is 220-240 volt, 50-cycle (Hz).

Note: The U.S. Department of Commerce's International Trade Administration produces a very useful publication called "Electric Current Abroad." It is an exhaustive list of the electric current characteristics of every country (and its cities, if there is variance) and the type of AC plugs in use in those countries.

2. IEC Socket

Connect the supplied AC power cord here. Since Performer active speakers have built-in power amplifiers, you must connect them to an AC power supply or you won't get any sound.

Note: If you happen to leave the power cord behind at a gig, don't worry. The 3-pin plug with ground pin is readily available at most office and computer supply stores.



3. POWER Switch

To turn on the Performer active speaker set the POWER switch in (down). To turn off the Performer set the switch out (up). Make sure the volume control is all the way down before you turn the power on or off.

4. POWER On Indicator

This LED indicator is located just above the POWER switch. When the POWER is on and the Performer is connected to an active AC Mains supply, this indicator glows.

5. LOW CUT

This switch engages or disengages the low cut filter. Turn on the low cut filter by setting the switch in (down). To turn it off set the switch out (up). The low cut filter cuts out frequencies below the 75 Hz range. It is especially useful for eliminating unwanted noise like stage rumble, P-pops and wind noise. It's also a good idea to use the low cut filter when using the Performer as a stage monitor.

6. CONTOUR

Use this feature when working in live sound applications. Pushing in the switch gives a 5 dB boost to frequencies below 80 Hz and above 10.5 KHz, making your highs clearer and giving your bass more kick. Try out the sound with the contour switch in and out to see which sounds best for your application.

7. WIRELESS/WIRELESS MIC Switch

This switch allows you to select between the different types of wireless signals being transmitted to the Performer active speaker. To select the wireless microphone, first ensure that the correct wireless module is installed, and then set the switch out (up). To select a wireless signal coming from another wireless source, such as a wireless mixer transmission module or from another Performer active speaker, ensure that the correct wireless module is installed, and then set the switch in (down). (For more information about wireless microphones and modules, please refer to page 16.)

8. Signal Indicator (Wireless)

After selecting WIRELESS or WIRELESS MIC, this LED lights up whenever the selected signal is present.

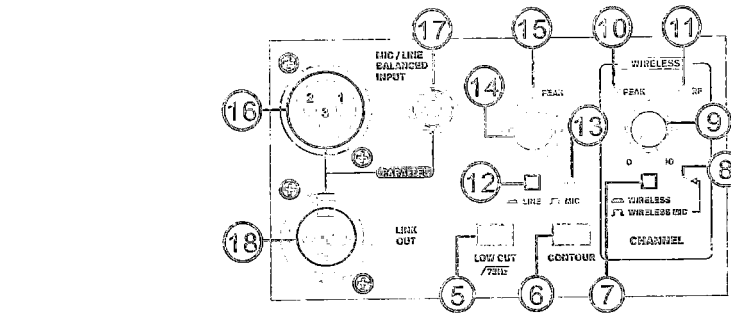
9. Wireless Volume Control

Use this rotary control to set the volume level for the wireless input signal. It's a good idea to first turn the volume control all the way down (counterclockwise). Turn on the selected source signal and then slowly turn up the volume control until you reach the desired volume level (but not until the PEAK indicator lights up).

Note: If you are not using the wireless function of this speaker, it is best to turn the volume all the way down to avoid picking up any radio frequency interference.

10. PEAK Indicator (Wireless)

This LED illuminates when the signal levels at the amplifier outputs approach clipping. It's OK for the PEAK indicator to blink infrequently, but if it blinks



often or is always lit, then you should turn down the volume level of either the signal source or the Performer.

11. RF Indicator (Wireless)

The RF indicator lights up when it detects the signal from the wireless microphone or other device.

12. LINE/MIC Switch

This switch allows you to select between the balanced line input (TRS 1/4") and the balanced microphone input (XLR female) input. To select the line input, set the switch in (down). To select the microphone input, set the switch out (up).

13. Signal Indicator

After selecting LINE or MIC, this LED lights up whenever the selected signal is present.

14. MIC/LINE Volume Control

Use this rotary control to set the volume level for MIC/LINE BALANCED INPUT signal(s). It's a good idea to first turn the volume control all the way down (counterclockwise). Turn on the selected source signal and then slowly turn up the volume control until you reach the desired volume level (but not until the PEAK indicator lights up).

15. PEAK Indicator

This LED illuminates when the signal levels at the amplifier outputs approach clipping. It's OK for the PEAK indicator to blink infrequently, but if it blinks often or is always lit, then you should turn down the volume level of either the signal source or the Performer.

16. INPUT Connector (Mic)

This is a female XLR-type connector that accepts a balanced or unbalanced mic-level signal.

17. INPUT Connector (Line)

This is a female TRS 1/4" phone connector that accepts a balanced or unbalanced line-level signal.

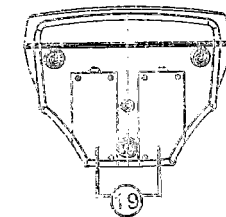
18. LINK OUT Connector

This is a female XLR-type connector that can be used to daisy chain multiple Performer active speakers together. It produces exactly the same signal that is connected to either of the two input jacks. However, if the MIC/LINE Volume Control is turned past two o'clock on the dial, the Performer active speaker will add +6 dB to the signal. This helps to strengthen weak input signals and improve the overall quality of your sound.

19. Wireless UHF, VHF and 2.4 GHz Module Compartments

The top of the Performer active speaker has two compartments for installation of wireless modules. Each compartment can fit one module and has a cover held in place by two screws.

Note: For instructions on how to select the input from the wireless module(s) please refer to (7) and (9) above. (For instructions on installing wireless modules, please refer to page 15.)



HOOKUP DIAGRAMS

Due to the ability to use Performer active speakers for wired or wireless applications, there are many possible configurations. Here we address the most probably applications for your Performer active speaker.

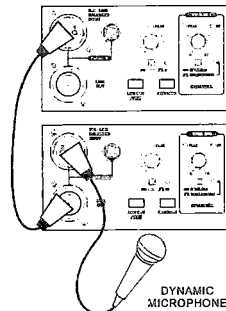
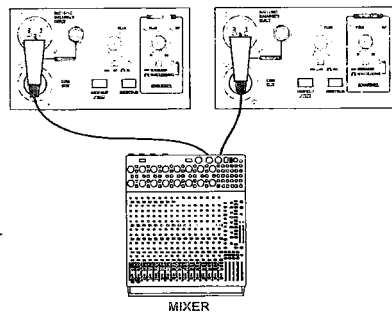
Wired Setup

- 1) Dynamic microphone with two Performer active speakers daisy chained together using the LINK OUT.

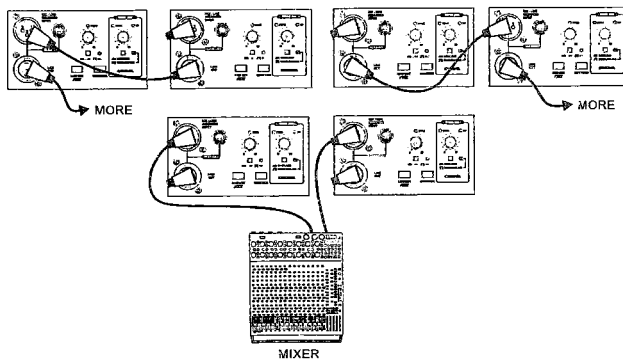
Note: The Performer active speaker does not have phantom power, so you will not be able to use it in conjunction with a condenser microphone unless the microphone has its own power supply.

- 2) Mixer with stereo left and right mic-level output divided to left- and right-side speakers.

Note: You must use the 1/4" phone connectors on the Performer active speaker if you want to use a line-level input.



- 3) Mixer with stereo left and right mic-level output divided to left- and right-side speakers. The Performer active speakers are daisy chained together using the LINK OUT.



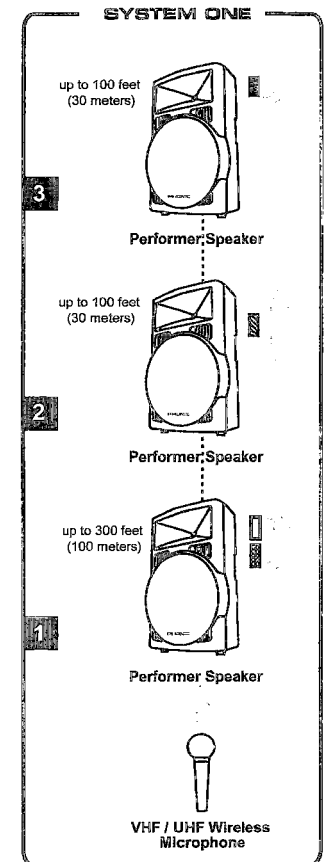
Wireless Setup

4) System One:

This configuration uses a Phonic wireless microphone with three Performer active speakers. You can use a Phonic UHF or VHF wireless microphone with wireless module to transmit to the speakers. Set the WIRELESS/WIRELESS MIC Switch out (up) on the back of Speaker 1, and set it in (down) on Speakers 2 and 3. Speaker 1 is fitted with two wireless modules installed in the two compartments on the top of the speaker. One compartment has the matched-frequency wireless module for the UHF or VHF wireless microphone. The other compartment is fitted with a Wireless Transmitter Module (WM 30) for re-transmitting the source signal to other wireless-enabled Performer active speakers. Speaker 2 is fitted with a Wireless Transmitter/Receiver Module (WM 50) for receiving the source signal transmission from Speaker 1 and re-transmitting it to Speaker 3, which is fitted with a Wireless Receiver Module (WM 40). In this way you have a completely wireless system with all the speakers receiving the same signal from the wireless microphone. (To install wireless modules please refer to the instructions on page 15.)

Note: The Wireless Transmitter modules (WM 30 and WM 50) have a range of up to 100 feet (30 meters). If Speakers 2 and 3 are both within that range of distance from Speaker 1, then they only need to be fitted with a Wireless Receiver Module (WM 40).

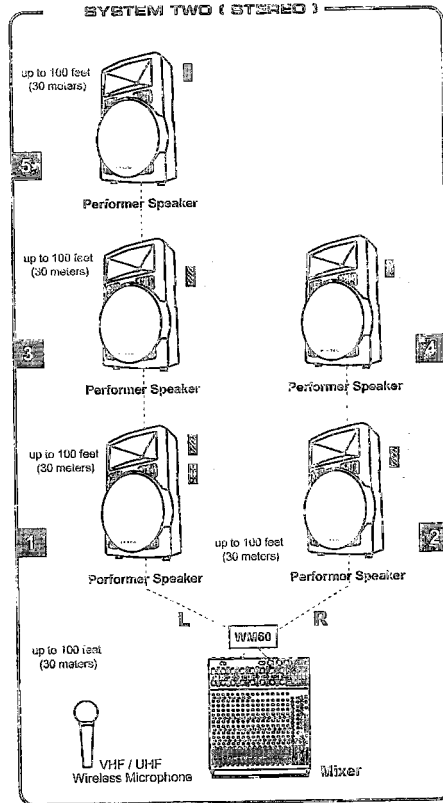
Related Products: UM 11, UM 22, VM 11, VM 22, WM 30, WM 40, WM 50



- 2.4 GHz Transmitter (WM30)
- 2.4 GHz Receiver (WM400)
- 2.4 GHz Transmitter / Receiver (WM50)
- VHF / UHF Receiver

5) System Two (Stereo):

This configuration uses a Phonic wireless microphone and mixer with Stand Alone Wireless Transmitter Module (WM 60) transmitting the source signals to five "virtually" daisy chained Performer active speakers. You can use a Phonic VHF or UHF wireless microphone with wireless module to transmit to the speakers. Set the WIRELESS/WIRELESS MIC Switch in (down) on the back of all the speakers. Speaker 1 has two wireless modules installed in the two compartments on the top of the speaker. One compartment is fitted with the matched-frequency wireless module for the UHF or VHF wireless microphone. The other compartment is fitted with a Transmitter & Receiver Module (WM 50) for receiving the transmission from the Stand Alone Wireless Transmitter Module (WM 60) and re-transmitting it to the next speakers in the series. Speaker 2 re-transmits the VHF / UHF wireless microphone signal to Speaker 3, and the wireless microphone and mixer signals to Speaker 4. Speakers 3 and 4 both are fitted with a Transmitter & Receiver Module (WM 50) and they re-transmit the signals to Speakers 5 and 6, respectively. Speakers 5 and 6 each are fitted with a Wireless Receiver Module (WM 40) to receive the transmission from Speakers 3 and 4, respectively. This setup allows all the speakers to instantly receive the wireless microphone and mixer signals. You also are able to play the mixer signals in stereo image because the WM 60 auto-detects left- and right-side speakers. (To install wireless modules please refer to the instructions on page 15.)

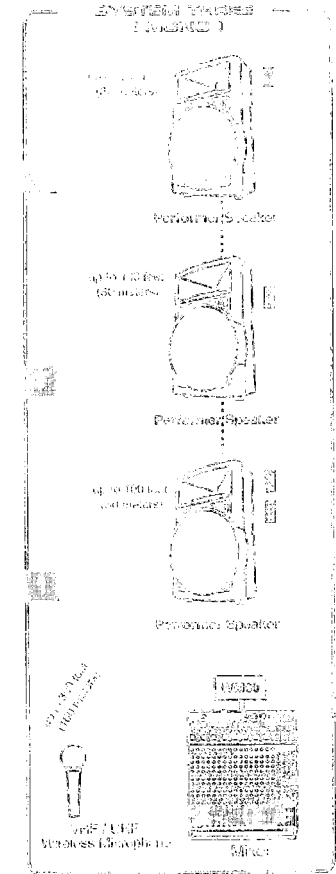


Related Products: UM 11, UM 22, VM 11, VM 22, WM 30, WM 40, WM 50, WM 60

6) System Three (Mono):

This configuration uses a Phonic wireless microphone and mixer with Stand Alone Wireless Transmitter Module (WM 60) transmitting the source signals to three "virtually" daisy chained Performer active speakers. You can use a Phonic UHF or VHF wireless microphone with wireless module to transmit to the speakers. Set the WIRELESS/WIRELESS MIC Switch in (down) on the back of all of the speakers. Speaker 1 is fitted with two wireless modules installed in the two compartments on the top of the speaker. One compartment has the matched-frequency wireless module for the UHF or VHF wireless microphone. The other compartment is fitted with a Transmitter & Receiver Module (WM 50) for receiving the transmission from the Stand Alone Wireless Transmitter Module (WM 60) and re-transmitting it to the next speakers in the series. Speaker 2 is fitted with a Wireless Transmitter/Receiver Module (WM 50) for receiving the source signals transmission from Speaker 1 and re-transmitting it to Speaker 3, which is fitted with a Wireless Receiver Module (WM 40). In this way you have a completely wireless system with all the speakers receiving the same signals from the wireless microphone and mixer. (To install wireless modules please refer to the instructions on page 15.)

Related Products: UM 11, UM 22, VM 11, VM 22, WM 40, WM 50, WM 60

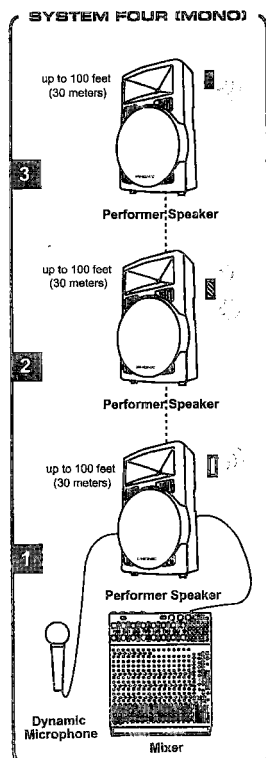


WM 30 2.4 GHz Transmitter
 WM 40 2.4 GHz Receiver
 WM 50 2.4 GHz Transmitter / Receiver
 WM 60 VHF / UHF Receiver

7) System Four (Mono):

This configuration uses a dynamic microphone or mixer wired to the first of three "virtually" daisy chained Performer active speakers. Set the WIRELESS/WIRELESS MIC Switch in (down) on the back of all the speakers. Speaker 1 is fitted with a Wireless Transmitter Module (WM 30) for re-transmitting the microphone or mixer signal to other wireless-enabled Performer active speakers. Speaker 2 is fitted with a Wireless Transmitter/Receiver Module (WM 50) for receiving the source signal transmission from Speaker 1 and re-transmitting it to Speaker 3, which is fitted with a Wireless Receiver Module (WM 40). (To install wireless modules please refer to the instructions on page 15.)

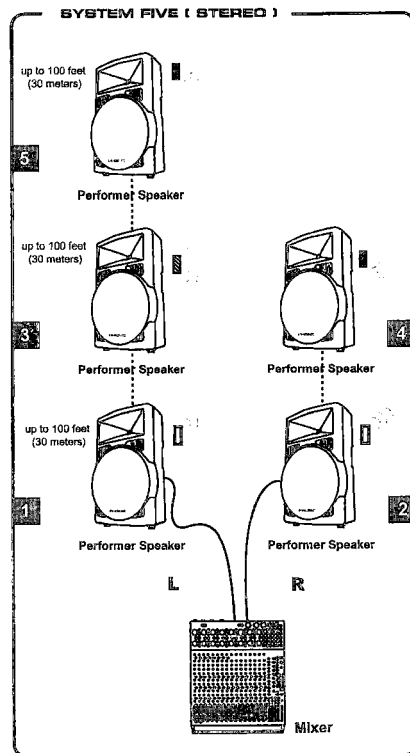
Related Products: WM 30, WM 40, WM 50



8) System Five (Stereo):

This configuration uses a mixer wired to the first left and right speakers of five "virtually" daisy chained Performer active speakers. Set the WIRELESS/WIRELESS MIC Switch in (down) on the back of all the speakers. Speakers 1 and 2 both are fitted with a Wireless Transmitter Module (WM 30) for re-transmitting the mixer signal to other wireless-enabled Performer active speakers. Speaker 3 is fitted with a Transmitter & Receiver Module (WM 50) to re-transmit the left channel signal to Speaker 4. Speakers 4 and 5 each are fitted with a Wireless Receiver Module (WM 40) to receive the transmission from speakers 2 and 3, respectively. (To install wireless modules please refer to the instructions on page 15.)

Related Products: WM 30, WM 40, WM 50



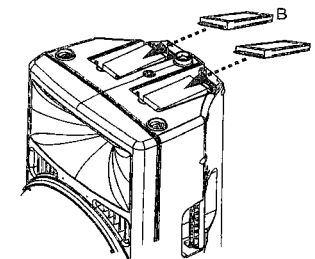
- 1 2.4 GHz Transmitter (WM30)
- 2 2.4 GHz Receiver (WM40)
- 3 2.4 GHz Transmitter / Receiver (WM50)
- 4 VHF / UHF Receiver

INSTALLING WIRELESS MODULES (optional accessories)

Phonic wireless modules are very easy to install and allow your Performer active speaker to receive signals from Phonic matched-frequency wireless UHF and VHF microphones, 2.4 GHz wireless mixer transmitter modules and 2.4 GHz wireless transmitter modules installed in other Performer active speakers.

Follow these directions to install or uninstall a wireless module:

1. Locate the two wireless compartments on the top of the Performer active speaker.
2. Using a Philips head screwdriver, remove one of the compartment covers by removing the two screws that hold it in place.
3. Insert the wireless module into the correct compartment. If you are facing the back of the speaker, UHF and VHF wireless modules should be installed in the compartment on the left, and 2.4 GHz wireless modules should be installed in the compartment on the right. Make sure the wireless module is right side up and that the card pins are lined up properly with the pin receptors.
4. Replace the cover.
5. Replace the screws and tighten.
6. To uninstall wireless modules simply follow the above instructions, this time carefully removing the wireless module from the compartment. Don't forget to replace the compartment cover when you are finished.



A: UHF/VHF Wireless Modules
B: 2.4 GHz Wireless Modules

Note: Phonic can only ensure that our wireless modules will work according to specifications, therefore only wireless modules manufactured by Phonic should be used with Performer active speakers.

OPTIONAL ACCESSORIES

2.4 GHz Wireless Modules

One 2.4 GHz wireless module can be installed in the Performer active speaker. The Wireless Transmitter Module (WM 30) can be used to wirelessly transmit the source signal to another speaker or speakers. The Wireless Receiver Module (WM 40) will allow the Performer active speaker to receive source signal transmissions, or those from another speaker. The Transmitter / Receiver Module (WM 50) can perform the functions of both the WM 30 and the WM 40 at the same time. The Stand Alone Wireless Transmitter Module (WM 60) can wirelessly transmit mono or stereo mixer signals to Performer active speakers. If stereo transmission is selected, the WM 60 will auto-detect the left and right sides of the PA system and transmit the signal in stereo image.

WM 30: Wireless Transmitter Module

WM 40: Wireless Receiver Module

WM 50: Wireless Transmitter / Receiver Module

WM 60: Stand Alone Wireless Transmitter Module

UHF/VHF Wireless Microphones with Modules

Performer active speakers have the option to install one UHF or VHF wireless module at one time. Phonic UHF and VHF Handheld and Executive Systems come with a matched-frequency wireless module that can be installed in the Performer active speaker, allowing it to wirelessly receive the signal.

UHF

UM 11: Wireless UHF Handheld System

UM 22: Wireless UHF Executive System

VHF

VM 11: Wireless VHF Handheld System

VM 22: Wireless VHF Executive System

Speaker Stands

SK1: Two speaker stands and carry bag

SK2: Two speaker stands, two Mic stands and carry bag

PURCHASING OPTIONAL ACCESSORIES

To purchase Phonic gear and optional accessories, please contact an authorized Phonic distributor. For a list of nearby Phonic distributors please visit our website at www.phonic.com and click Get Gear. You may also contact Phonic directly and we will assist you in locating a distributor:

Phonic
5411 Johns Road, #305
Tampa, FL 33634
(813) 890-8872

SERVICE AND REPAIR

Phonic has over 100 service centers worldwide. Please contact an authorized Phonic distributor for service and repairs. For a list of nearby Phonic distributors please visit our website at www.phonic.com and click Get Gear.



CUSTOMER SERVICE AND TECHNICAL SUPPORT

We encourage you to visit our website at www.phonic.com. There you can browse our FAQs found on our Support page. Your questions may already be answered there. If not, email us, and we will get back to you within 24 hours.

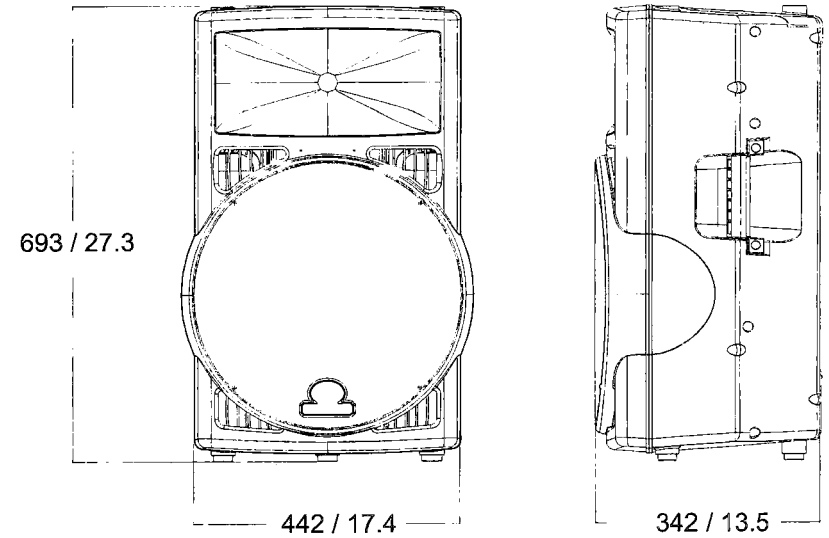
U.S. inquiries please e-mail us at:
techsupport@phonic.com

International inquiries please e-mail us at:
support@phonic.com

SPECIFICATIONS

	PERFORMER A210	PERFORMER A220	PERFORMER A230	PERFORMER A520	PERFORMER A530
Type	Wireless 12" 90W Active Speaker	Wireless 12" 160W Active Speaker	Wireless 12" 275W Active Speaker	Wireless 15" 160W Active Speaker	Wireless 15" 275W Active Speaker
Output RMS	70W + 20W	120W + 40W	225W + 50W	120W + 40W	225W + 50W
Frequency Response	65Hz - 20KHz	65Hz - 20KHz	65Hz - 20KHz	50Hz - 20KHz	50Hz - 20KHz
Max SPL @1M	120 dB	123 dB	126 dB	123 dB	126 dB
Impedance	20 k ohms balanced / 10 k ohms unbalanced				
Sensitive	-50 - 0 dB on input				
Bass Drive	12"	12"	12"	15"	15"
Tweeter Diaphragm	1"	1"	1"	1"	1"
Dispersion Angle	90° x 60°	90° x 60°	90° x 60°	90° x 60°	90° x 60°
Input	XLR+ TRS 1/4"	XLR+ TRS 1/4"	XLR+ TRS 1/4"	XLR+ TRS 1/4"	XLR+ TRS 1/4"
Link Output	XLR	XLR	XLR	XLR	XLR
Enclosure Design	Molded Polypropylene Asymmetrical Trapezoidal				
Dimensions (H x W x D)	693 x 442 x 342mm (27.3"x17.4"x13.5")	693 x 442 x 342mm (27.3"x17.4"x13.5")	693 x 442 x 342mm (27.3"x17.4"x13.5")	693 x 442 x 342mm (27.3"x17.4"x13.5")	693 x 442 x 342mm (27.3"x17.4"x13.5")
Weight	18 kg	19 kg	20.5 kg	19.5 kg	21.5 kg

DIMENSIONS



Measurements are shown in mm/inch